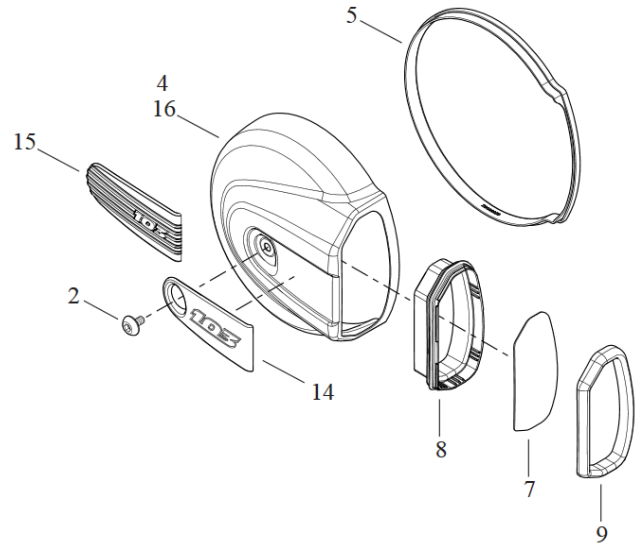


Dismantle original air filter cover

1. Loosen screw (2) and remove emblem (15).
2. Remove gasket (5), frame and grille (7, 8, 9) from the original air filter cover.



Fitting the "slotted" air filter cover

1. Insert gasket (5), frame and grille (7, 8, 9) into the air filter cover "Slotted".
2. Fit the air filter cover with the screw (2).
Tightening torque: 4 to 7Nm

We recommend using a medium-strength screw lock (e.g. LOCTITE 243, blue) for all screws.



Abb. 1 - Mounted air filter cover



Abb. 2 – "Slotted" air filter cover