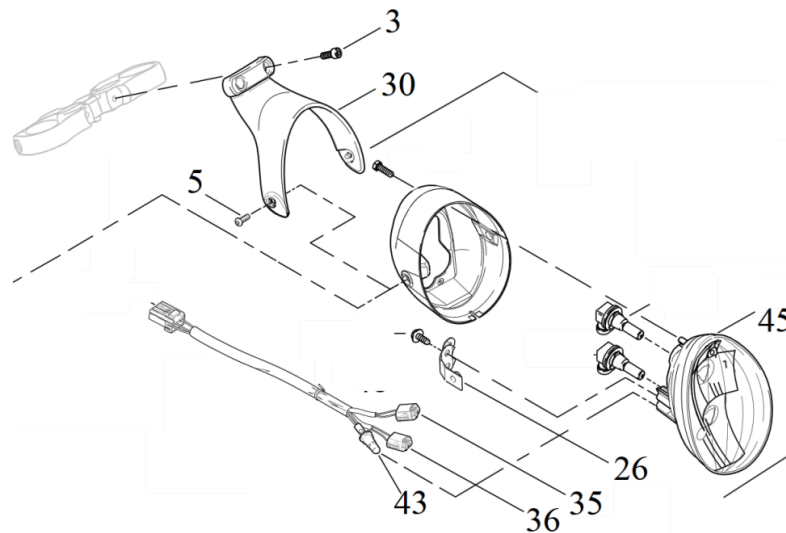


Dismantle the original headlamp

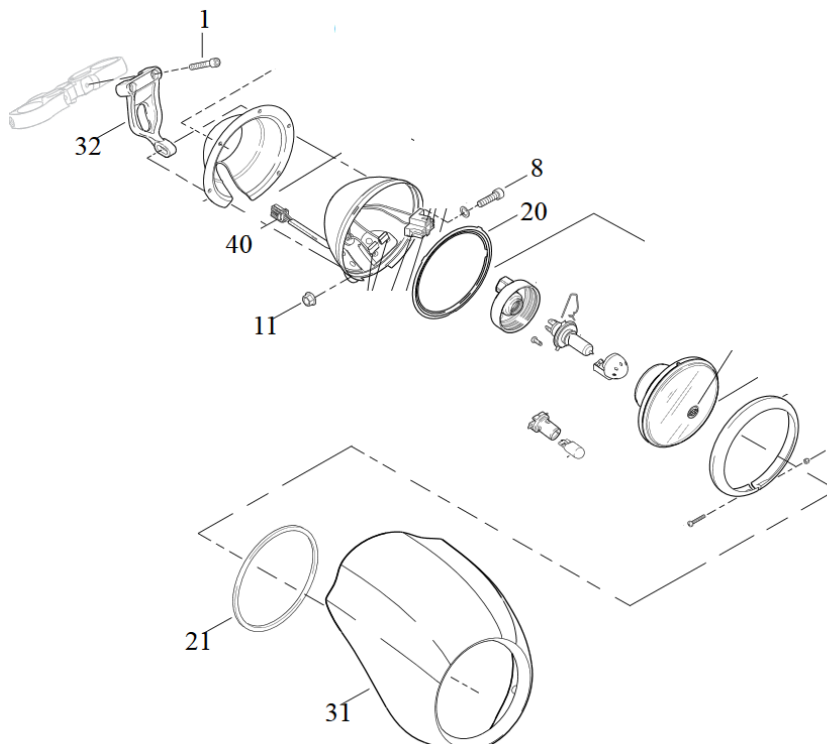
V-Rod

1. Loosen screws (5)
2. Disconnect plugs (35,36) and unscrew small lamp (43), remove headlamp.
3. Loosen screws (3) and remove holder (30).



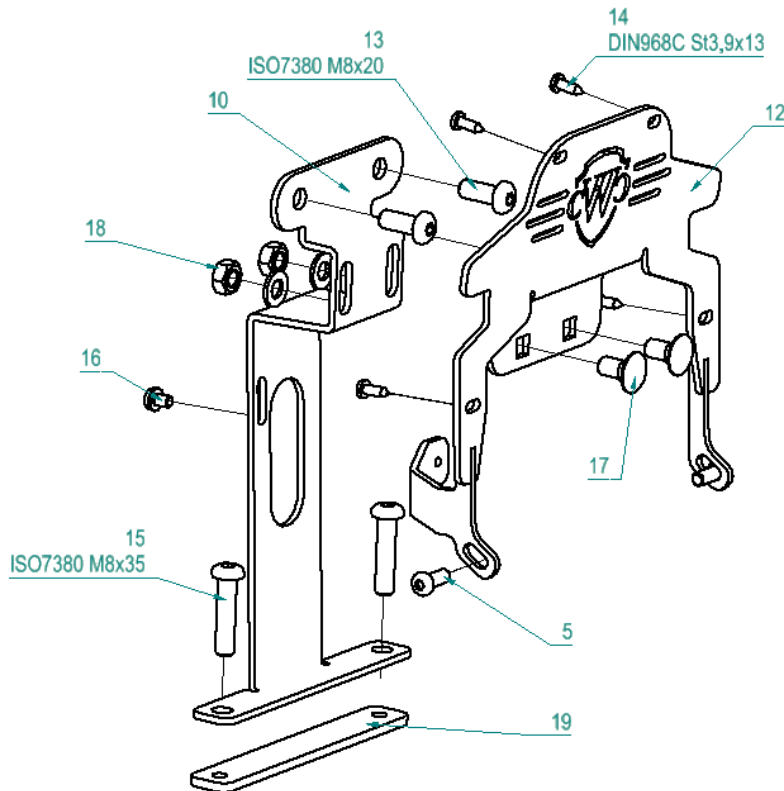
Night Rod

1. Loosen screw (8) and nut (11).
2. Disconnect plug (4) and remove headlight and mask.
3. Loosen screws (1) and remove original holder (32).



Fitting the "New Night Rod Style" headlamp mask

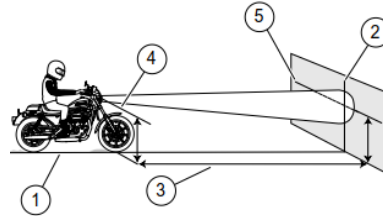
1. Fix the bracket (10) to the motorbike with the screws (13).
2. Fix the bracket (19) with the screws (15) at the bottom of the triple clamp.
3. Screw the brackets together with the screws (17) and nuts (18), additionally fix the bracket bracket with the screw (16).
4. Pull the cables through the opening of the bracket (10) and connect them to the headlamp - additionally for NightRod: clamp the adapter cable harness (HD-UNI011) in between.
5. Fix the headlamp to the mask holder (12) with the screws (5).
6. Fasten the new mask to the mask holder (12) with the screws (14).



! Note !

After mounting, it is necessary to readjust the headlight range:

1. Horizontal line
2. Vertical line
3. 7,6m
4. Height of main beam lamp
5. 53,3mm below height of main beam lamp



We recommend using a medium-strength screw lock (e.g. LOCTITE 243, blue) for all screws.



Abb. 1 – mounted headlamp mask



Abb. 2 – Headlamp mask "New Night Rod Style" with holder