

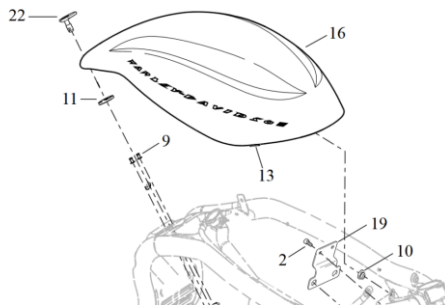
Dismantle original airbox cover

1. fold away the seat
2. open quick release fastener (22), remove airbox cover (16)

Fitting the airbox cover

1. hang the airbox cover into the rubber grommet (10) with the metal pins (1).
2. fasten the airbox cover with the quick-release fastener (22).

The speedometer unit can be installed in the airbox cover. It only needs to be unscrewed and the connector disconnected. The plug is inserted through the cover from below and reconnected to the speedometer unit. This is screwed to the airbox cover at the holes already drilled.



! Note !

In addition to the airbox cover, we recommend the installation of our air filter cover (HD-ROD035) to prevent possible damage to the engine.



Abb. 1 – mounted Airbox cover with installed speedometer



Abb. 2 – Airbox Cover „Racing“