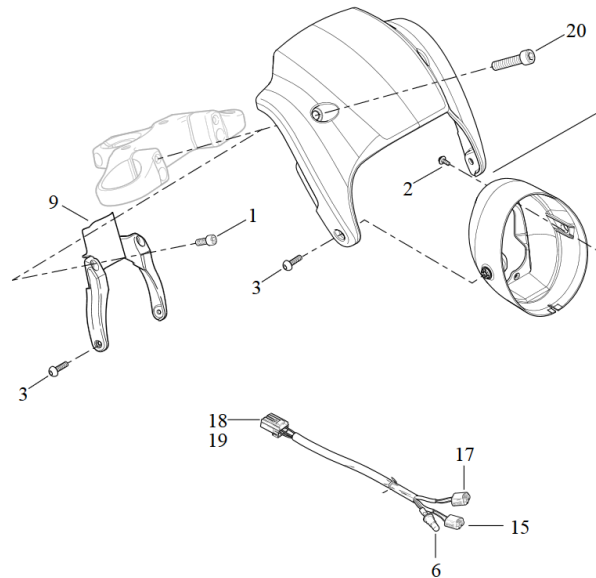


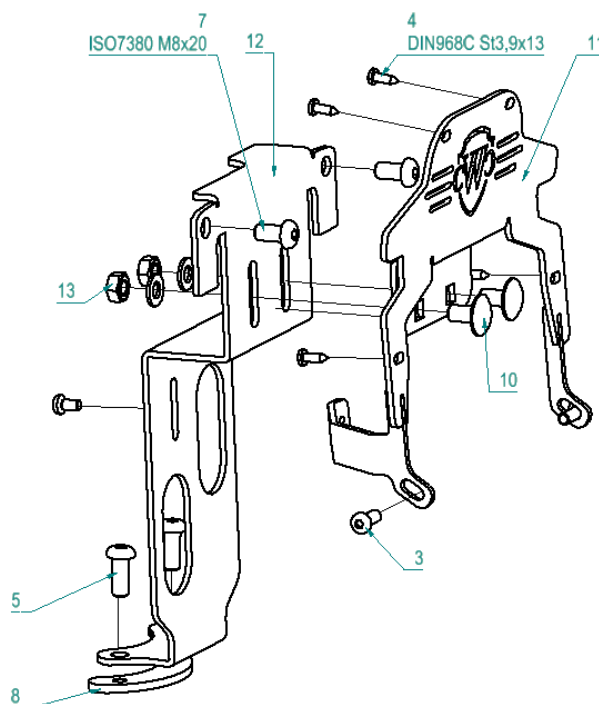
Dismantle original headlight and mask

1. Loosen screws (3)
2. disconnect plugs (15,17) and unscrew small lamp (6), remove headlamp
3. Loosen screws (1) and remove holder (9).



Fitting the "Special" headlight mask

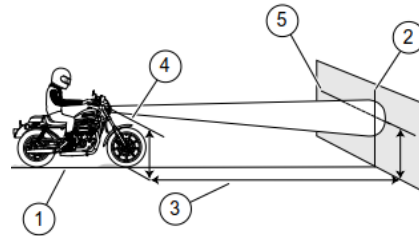
1. Mount the bracket (12) on the motorbike with the screws (7).
2. Fix it to the lower triple clamp with the screws (5) and the retaining plate (8).
3. Screw the mask holder (11) and the bracket (12) together with the screws (10) and nuts (13).
4. Pull the cables through the holes in the holder (12).
5. Connect the plugs (15,17) to the headlamp and replace the bulb (6).
6. Refit the headlamp with the screws (3).
7. Secure the mask to the mask holder (11) with the screws (4).



! Note !

After mounting, it is necessary to readjust the headlight range:

1. Horizontal line
2. Vertical line
3. 7,6m
4. Height of main beam lamp
5. 53,3mm below height of main beam lamp



We recommend using a medium-strength screw lock (e.g. LOCTITE 243, blue) for all screws.



Abb. 1 – mounted headlamp mask



Abb. 2 – Headlamp mask "New Night Rod" with holder