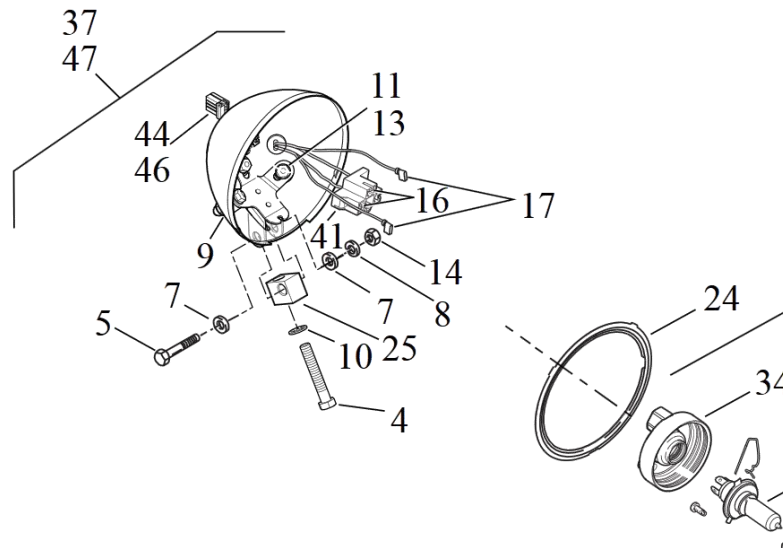


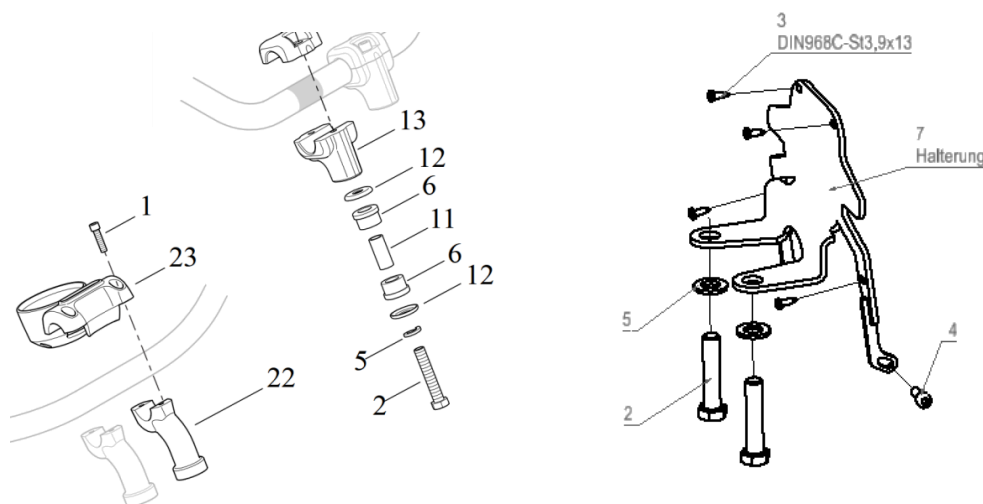
Dismantle the original headlamp

1. disconnect plug (46)
2. loosen screw (4) and remove entire headlamp (37) and mounting block (25).



Fitting the "Night-Rod" headlight kit

1. loosen the screws (2) and remove the riser (22).
2. Reassemble the bracket (7) with the original screws (2) with the riser (22).
Tightening torque: 16 - 21Nm
3. connect the plug to the new headlamp.
4. fix the new headlamp to the bracket (7) with the screws (4).
5. Screw the supplied screws (3) into the holes provided in the mask and use them to secure it to the bracket (7).

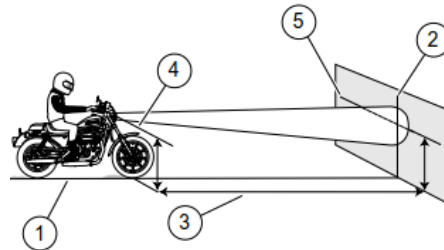


! Note !

When fitting the new headlamp, it may be necessary to make changes to the original wiring harness

After mounting, it is necessary to readjust the headlight range:

1. Horizontal line
2. Vertical line
3. 7,6m
4. height of main beam lamp
5. 53.3mm below height of main beam lamp



We recommend using a medium-strength screw lock (e.g. LOCTITE 243, blue) for all screws.



Abb. 1 – mounted headlight kit



Abb. 2 – Headlight kit "Night-Rod" with holder