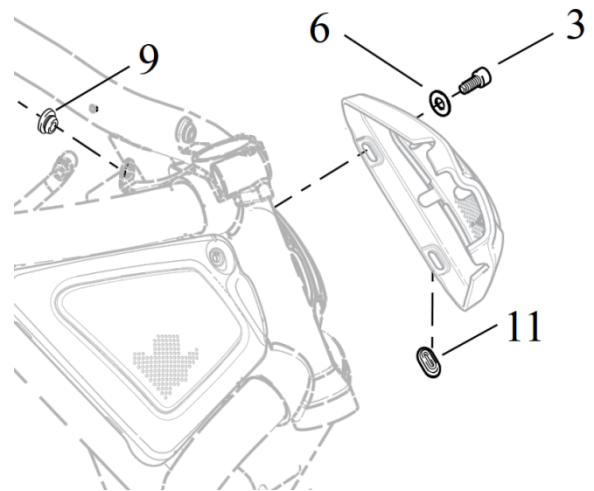


## Dismantle original Ram Air

1. Loosen screw (3), remove washer (6) and original Ram Air.
2. remove the rubber attachment from the Ram Air.

## Mount Ram Air

1. insert the rubber fastener (11) into the slots of the Ram Air.
2. place the Ram Air with the fasteners (11) on the frame.
3. Put on the washer (6) and tighten the screw (3).



Tightening torque: 6 - 10Nm

We recommend using a medium-strength screw lock (e.g. LOCTITE 243, blue) for all screws.



Abb. 1 – mounted Ram Air



Abb. 2 – Ram Air „GT“