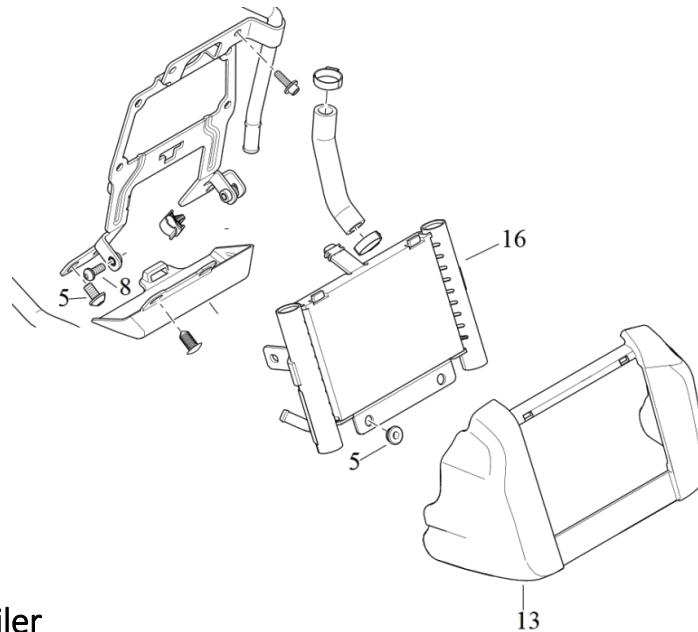


Dismantle original cover

1. take the original cover (13) out of the rubber couplings (5) and unhook from the top of the radiator (16).
2. Unscrew the screws (8) on the radiator support.



Fitting the "Custom" nose spoiler

1. screw the lower sheet metal bracket to the radiator bracket with the original screws (8).
2. clamp the M6 sheet metal nut to the upper mounting point
3. place the front spoiler on the motorbike from the front and mount it with the supplied screws.

We recommend using a medium-strength screw lock (e.g. LOCTITE 243, blue) for all screws.



Abb. 1 - mounted bugspoiler



Abb. 2 - bugspoiler "Custom"