

Fitting the bug spoiler

1. loosen the screws of the motor mounting by about 3mm. (Abb.1, 6)
2. Loosen the screws of the voltage transformer and take it down down (Abb.2)
3. place the lower holder between the voltage transformer and the fastening and screw both hand-tight (Abb.3)

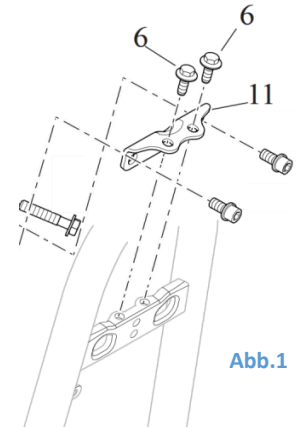


Abb.1



Abb.2



Abb.3

4. leave the upper bracket on the bow spoiler and fix it hand-tight in the desired position with the original screws (6) - check if the position of the lower bracket fits and correct it if necessary. (Abb.4)
5. unscrew the bow spoiler from the upper attachment and tighten the screws (6):
Tightening torque 65 Nm
6. Now also fix the lower holder
7. mount the nose spoiler on the positioned brackets.

We recommend using a medium-strength screw lock (e.g. LOCTITE 243, blue) for all screws.



Abb.4